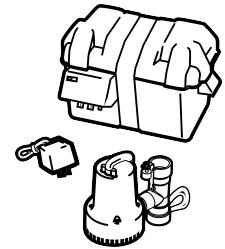


Please read and save these instructions. Read carefully before attempting to assemble, install, operate or maintain the product described. Protect yourself and others by observing all safety information. Failure to comply with instructions could result in personal injury and/or property damage! Retain instructions for future reference.



# 12 Volt Standby Sump Pump



## Description

The ESP15 is a battery operated back-up sump pump. It does not replace a regular pump. It is designed to provide protection in the event household electrical power fails.

## Safety Guidelines

This manual contains information that is very important to know and understand. This information is provided for SAFETY and to PREVENT EQUIPMENT PROBLEMS. To help recognize this information, observe the following symbols.

**ADANGER** Danger indicates an imminently hazardous situation which, if not avoided, will result in death or serious injury.

**AWARNING** Warning indicates a potentially hazardous situation which, if not avoided, could result in death or serious injury.

**ACAUTION** Caution indicates a potentially hazardous situation which, if not avoided, may result in minor or moderate injury.

**NOTICE** Notice indicates important information, that if not followed, may cause damage to equipment.

## General Safety Information

### ADANGER

Do not use to pump flammable or explosive fluids such as gasoline, fuel oil, kerosene, etc. Do not use in a flammable and/or explosive atmosphere. Pump should only be used to pump clear water. Fatal injury and/or property damage could result.



### ADANGER

If the basement has water or moisture on the floor, do not walk on wet area until all



power is turned off. If the shutoff box is in the basement, call an electrician. Remove pump and either repair or replace. Failure to follow this warning could result in fatal electrical shock.

**AWARNING** All wiring must be performed by a qualified electrician.

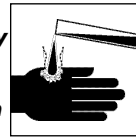
### AWARNING

Do not expose battery to sparks or flames as an explosion or fire could result.



### AWARNING

Battery acid is corrosive. Avoid spilling on skin or clothing. Eye protection must be worn when handling the battery.



### AWARNING

A check valve must be used on the primary sump pump discharge (see Figure 1)

### AWARNING

A ground fault circuit interrupter is required.

### NOTICE

This pump must only be used to pump clear water. This pump is not designed to handle effluent, salt water, brine, laundry discharge or any other application which may contain caustic chemicals and/or foreign materials. Pump damage may occur if used in these applications and will void warranty.

## Battery Requirements

1. Use only a new fully charged 12 volt deep cycle battery. Electrolyte level must be checked and maintained in accordance with manufacturer's guidelines.
2. Battery sizes that will fit into the battery box are 24C, 24VCM, 27C, 27CM and 27F.
3. Battery recharge time will be different at each installation. Under normal conditions it will take two to four days to bring a deep cycle battery back to full charge after it has

been discharged. If electrical power to the house is lost more than once a week, consider keeping a spare, fully-charged battery to replace an exhausted battery for the standby sump pump.

## Installation

**NOTICE** Installation of this unit may take several hours. Before disabling your main pump, have ready an appropriate means of evacuating the sump.

1. Turn power to main pump off.
2. Pump must be installed using 1 1/4" or 1 1/2" rigid PVC piping. A check valve (not included) **must** be installed between the ESP's tee and the main pump (see Figure 1).

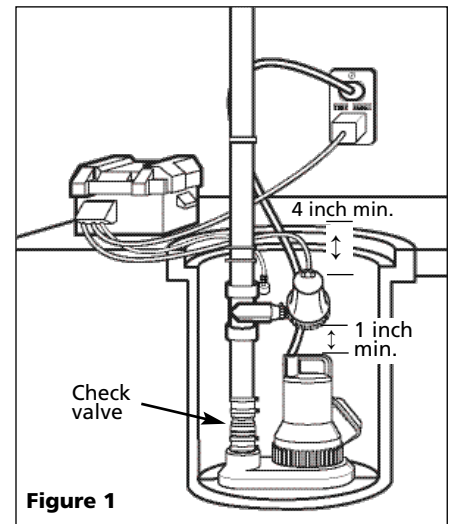


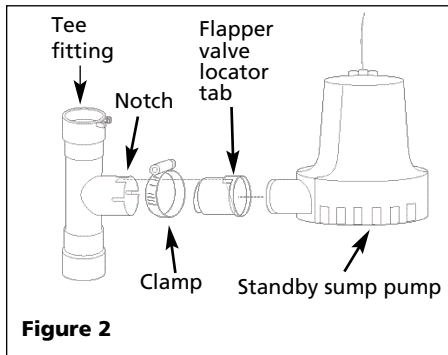
Figure 1

3. Measure and cut discharge pipe so that back-up pump is a minimum of 1 inch above the main pump. This will allow main pump to operate normally (see Figure 1).
4. Check the fit of the components before permanently attaching. Using PVC cement, glue tee in place. Note

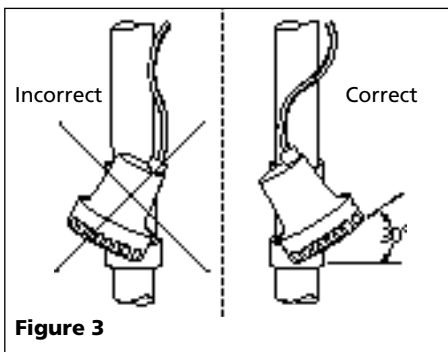
REMINDER: Keep your dated proof of purchase for warranty purposes! Attach it to this manual or file it for safekeeping.

## Installation (Continued)

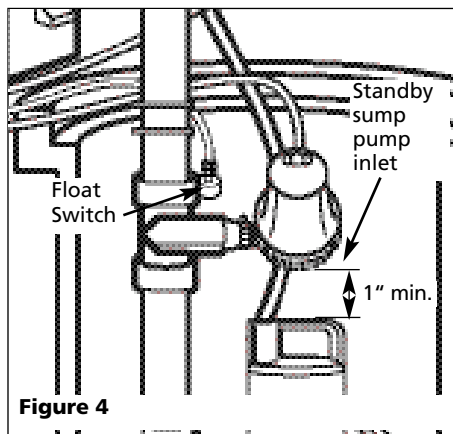
the up direction arrow on the tee; the notch must be to the top or flapper valve will not work (see Figure 2).



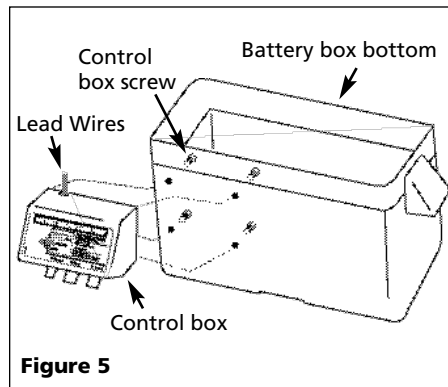
5. Insert flapper valve into tee. Be sure locator tab is in the notch in tee (see Figure 2).
6. Slide clamp onto tee.
7. Insert pump into flapper valve, tilt pump 30°. When tilted, side with power cord should be up (see Figure 3). Tighten clamp around the pump and flapper valve (see Figure 2).



**WARNING** Pump must be tilted as shown in Figure 3 to prevent air locking.



8. To install float switch for standby pump, first slide bracket into slot on top of tee. Secure bracket with screw provided. Remove top hex nut from switch and slide up the cord and out of the way. Slip cord through slot in bracket, pull threaded stud through hole, and secure with nut. Make sure that float switch is above pump base and that power wires do not interfere with float switch or pump inlet.
9. Attach control box to the side of battery box as shown in Figure 5. Place battery in box, attach red cable to positive battery post and black cable to negative post. Put lid on box and strap closed.



**CAUTION** If cables are reversed, damage to the control box or battery could result, and warranty will be void.

10. Place battery box within six feet of the sump and a 115 VAC separately fused outlet. The outlet must be protected by a ground fault circuit interrupter (GFCI). The area must also be clean, dry and well-ventilated.
11. Plug the float switch, pump and charger into the control box. The connections are marked on the control box.
12. Test pump operation by filling the sump with water while the main pump is unplugged. If the pump operates properly, plug the charger into the GFCI protected outlet to begin charging the battery.
13. Protect electrical cord from sharp objects, hot surfaces, oil and chemicals. Avoid kinking the cord and replace damaged components immediately.

## Operation

### ADANGER

Always disconnect the power source before attempting to install, service, relocate or maintain the pump. Never touch sump pump, pump motor, water or discharge piping when pump is connected to electrical power. Never handle a pump or pump motor with wet hands or when standing on wet or damp surface or in water. Fatal electrical shock could occur.



### ADANGER

Risk of electrical shock! Use a GFCI receptacle to reduce the risk of fatal electrical shock.



Cutting the cord or plug will void the warranty and make the pump inoperable.

1. After installation, the standby pump will start when the water level rises above the depth that the primary pump should start.
2. The control box has a DC charger designed to shorten the recharging time of your battery, and to prevent overcharging. In addition, the control box has a time delay which keeps the pump from repeated, short cycles when it shuts off. This time delay feature will allow the pump to run 20-25 seconds after the switch reaches the off position.
3. The control box contains a multi-colored indicator light. When AC power is present, the light will indicate the charging state, and not reflect actual battery voltage, particularly with a defective battery. In order for the indicator light to provide an accurate reading, steps "a" through "d" must be followed.
  - a. Unplug main AC pump and the charger—a power off alert tone will sound for 30 seconds.
  - b. Lift and release the float switch to activate the standby pump.
  - c. When the pump stops, read the test light:

**Green:** Indicates battery is charged.

**Yellow:** Voltage is low, indicating battery is partially charged.

## Operation (Continued)

**Red:** Battery is completely discharged or defective.

d. Plug in charger and main AC pump.

When AC power is out, and when pump has been running, the light will indicate battery status.

4. A chirping sound from the control box will accompany the red light, indicating that the battery may require attention or replacement. Voltage is only an indicator of battery condition and may not reflect the true condition of the battery. See Maintenance for instruction on assessing battery condition.
5. A single thirty-second tone will sound when power to the system is interrupted. The unit will reset automatically when power is restored. A three-second tone will

sound every time the pump starts.

## Maintenance

### **⚠ DANGER**

**Always disconnect the electrical supply before attempting to install, service, relocate or perform any maintenance. If the power source is out of sight, lock and tag in the open (off) position to prevent unexpected power application. Failure to do so could result in fatal electrical shock. Only qualified electricians should repair this unit. Improper repair could result fatal in electrical shock.**



1. Once a month, check battery condition.
2. Unplug the wall charger.
3. For batteries with top caps that can be removed, the electrolyte level should be checked and filled to manufacturer's specifications. The

charge for each cell should be checked with a hydrometer. A specific gravity of 1.265 indicates the battery is at full charge. If the specific gravity of any of the cells varies more than .050, the battery should be replaced.

**NOTE:** An inexpensive hydrometer can be purchased at an automotive parts dealer.

4. Inspect the terminals and clamps for corrosion and tightness. Clean and tighten as required.
5. Unplug the main pump and fill sump with water until back up pump turns on. Repeat process two times to be sure pump is operating normally.
6. If pump operates normally, plug charger into wall outlet, turn on main pump. If pump fails to operate normally, see Troubleshooting guide and correct problem. Repeat step 5.

## Troubleshooting Chart

Symptom	Possible Cause(s)	Corrective Action
Pump won't run	<ol style="list-style-type: none"> <li>1. Connections not secure</li> <li>2. Low or defective battery</li> <li>3. Float switch stuck</li> <li>4. Defective or blown fuse</li> </ol>	<ol style="list-style-type: none"> <li>1. Check all connections</li> <li>2. Check battery and replace if low or defective</li> <li>3. Make sure nothing is interfering with the operation of the switch</li> <li>4. Check internal fuse located inside the control box. Pull the charger from the wall outlet and remove. If the fuse is blown, replace it with a 15 amp automotive type fuse</li> </ol>
Motor hums but pump won't run	<ol style="list-style-type: none"> <li>1. Defective battery</li> <li>2. Impeller is locked</li> </ol>	<ol style="list-style-type: none"> <li>1. Check battery and replace if low or defective</li> <li>2. Unplug pump and check to see if impeller is free to turn. If impeller is locked, remove the 4 screws on the bottom of the pump to release the housing around the impeller. Remove the obstruction. Reassemble pump and reconnect</li> </ol>
Pump runs but pumps very little or no water	<ol style="list-style-type: none"> <li>1. Check valve missing or improperly installed</li> <li>2. Obstruction in discharge pipe</li> <li>3. Pump not rotated 30°</li> <li>4. Pump air locked</li> <li>5. Discharge pipe length and/or height exceeds capacity of pump</li> <li>6. Low or defective battery</li> </ol>	<ol style="list-style-type: none"> <li>1. Check to make sure a check valve is installed and functioning between primary pump discharge and Standby Sump Pump tee fitting</li> <li>2. Check for obstruction and clear if necessary</li> <li>3. Check that pump is rotated 30° in tee fitting as shown in Figure 3</li> <li>4. The impeller housing has a small hole on its side. This hole must be open for the pump to prime. With the pump unplugged, remove the 4 screws on the bottom of the pump to release the housing around the impeller. Clean out the hole and replace cover</li> <li>5. If discharge is too high, a separate line may be required with a lower discharge height</li> <li>6. Check battery and replace if low or defective</li> </ol>
Pump cycles too frequently	<ol style="list-style-type: none"> <li>1. Main check valve located between the discharge of the primary pump and the Standby Sump Pump tee fitting or the Standby Sump Pump flapper valve not installed or working properly</li> </ol>	<ol style="list-style-type: none"> <li>1. Install check valve or repair as required</li> </ol>

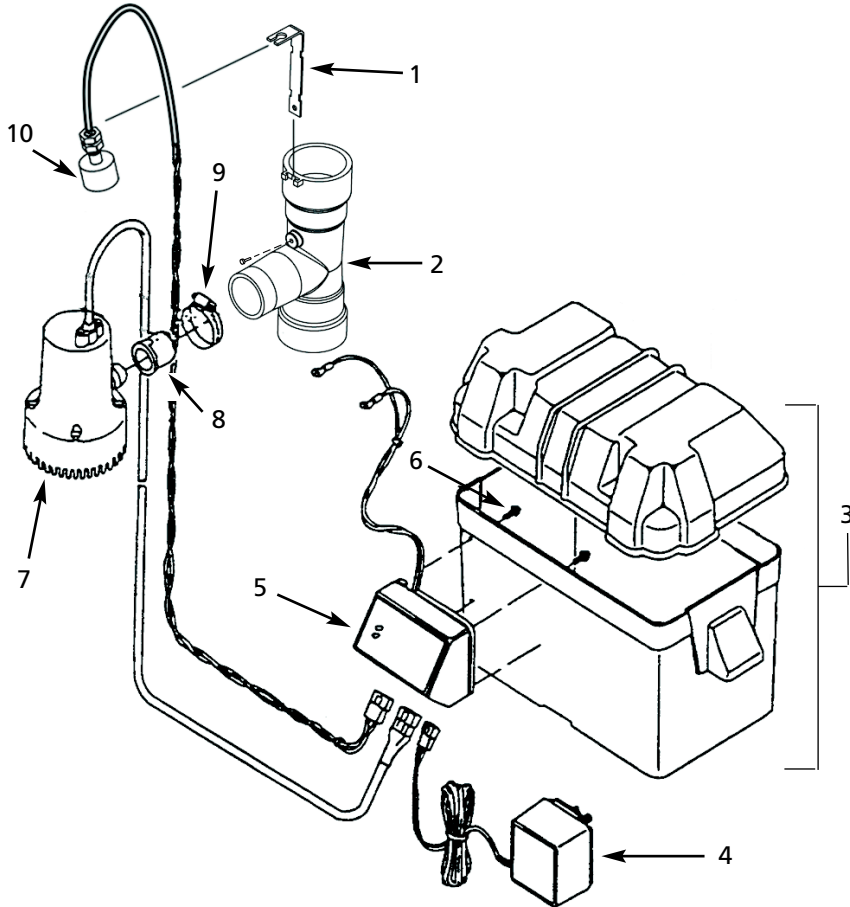
# For Replacement Parts, call 1-800-237-0987

Please provide following information:

- Model number
- Serial number (if any)
- Part descriptions and number as shown in parts list

Address parts correspondence to:

Wayne Water Systems  
 101 Production Drive  
 Harrison, OH 45030 U.S.A.



Ref. No.	Description	Part Number	Qty.
1	Bracket	46049-001	1
2	Tee fitting	17233-002	1
3	Battery box	23217-001	1
4	Charger	17220-004	1
5	Control box	30209-002	1
6	Screw control box	16119-002	4
7	Pump	17218-003	1
8	Flapper valve	17216-001	1
9	Clamp hose	16044-001	1
10	Float switch	30033-001	1

## Limited Warranty

For one year from the date of purchase, Wayne Water Systems Division ("Wayne") will repair or replace, at its option, for the original purchaser any part or parts of its Sump Pumps or Water Pumps ("Product") found upon examination by Wayne to be defective in materials or workmanship. Please call Wayne (800-237-0987) for instructions or see your dealer. Be prepared to provide the model number when exercising this warranty. All transportation charges on Products or parts submitted for repair or replacement must be paid by purchaser.

This Limited Warranty does not cover Products which have been damaged as a result of accident, abuse, misuse, neglect, improper installation, improper maintenance, or failure to operate in accordance with Wayne's written instructions.

**THERE IS NO OTHER EXPRESS WARRANTY. IMPLIED WARRANTIES, INCLUDING THOSE OF MERCHANTABILITY AND FITNESS FOR A PARTICULAR PURPOSE, ARE LIMITED TO ONE YEAR FROM THE DATE OF PURCHASE. THIS IS THE EXCLUSIVE REMEDY AND ANY LIABILITY FOR ANY AND ALL INDIRECT OR CONSEQUENTIAL DAMAGES OR EXPENSES WHATSOEVER IS EXCLUDED.**

Some states do not allow limitations on how long an implied warranty lasts, or do not allow the exclusions or limitations of incidental or consequential damages, so the above limitations might not apply to you. This limited warranty gives you specific legal rights, and you may also have other legal rights which vary from state to state.

In no event, whether as a result of breach of contract warranty, tort (including negligence) or otherwise, shall Wayne or its suppliers be liable for any special, consequential, incidental or penal damages including, but not limited to loss of profit or revenues, loss of use of the products or any associated equipment, damage to associated equipment, cost of capital, cost of substitute products, facilities, services or replacement power, downtime costs, or claims of buyer's customers for such damages.

You **MUST** retain your purchase receipt along with this form. In the event you need to exercise a warranty claim, you **MUST** send a copy of the purchase receipt along with the material or correspondence. Please call Wayne (800-237-0987) for return authorization and instructions.

**DO NOT MAIL THIS FORM TO WAYNE.** Use this form only to maintain your records.

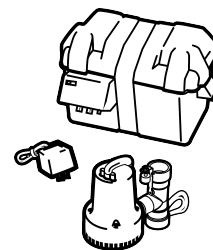
MODEL NO. \_\_\_\_\_ SERIAL NO. \_\_\_\_\_ INSTALLATION DATE \_\_\_\_\_

**ATTACH YOUR RECEIPT HERE**

S'il vous plaît lire et conserver ces instructions. Lire attentivement avant de monter, installer, utiliser ou de procéder à l'entretien du produit décrit. Se protéger ainsi que les autres en observant toutes les instructions de sécurité, sinon, il y a risque de blessure et/ou dégâts matériels! Conserver ces instructions comme référence.



# Pompe De Puisard De Réserve 12V



## Description

Le modèle ESP15 est une pompe de puisard de sauvegarde actionnée par piles. Elle ne remplace pas une pompe régulière. Elle est conçue pour fournir la protection contre les pannes d'électricité domestiques.

## Directives De Sécurité

Ce manuel contient de l'information très importante qui est fournie pour la SÉCURITÉ et pour ÉVITER LES PROBLÈMES D'ÉQUIPEMENT. Rechercher les symboles suivants pour cette information.

**ADANGER** Danger indique une situation hasardeuse imminente qui résultera en perte de vie ou blessures graves.

**AAVERTISSEMENT** Avertissement indique une situation hasardeuse potentielle qui peut résulter en perte de vie ou blessures graves.

**AATTENTION** Attention indique une situation hasardeuse potentielle qui peut résulter en blessures.

**AVIS** Avis indique l'information importante pour éviter le dommage de l'équipement.

## Généralités Sur La Sécurité

**ADANGER** Ne pas pomper les fluides explosifs tels que l'essence, l'huile à chauffage, le kérosène etc. Ne pas utiliser dans un atmosphère inflammable et/ou explosif. La pompe devrait être utilisée pour le pompage de l'eau claire seulement, sinon, il y a risque de blessures personnelles et/ou dégâts matériels.

**ADANGER** Ne pas marcher sur un plancher de sous-sol trempé ou humide

avant de couper l'électricité. Si la boîte de branchement est dans le sous-sol, contacter un électricien. Enlever la pompe et la réparer ou remplacer. Manque de suivre cet avertissement peut résulter en secousse électrique mortelle.

**AAVERTISSEMENT** Toute installation de fils doit être effectuée par un électricien qualifié.

**AAVERTISSEMENT** Ne pas exposer la pile à des étincelles ou des flammes. Une explosion ou un feu peut y résulter.

**AAVERTISSEMENT** L'acide de pile est corrosive. Ne pas le renverser sur la peau ni sur les vêtements. Porter de la protection oculaire lorsque vous manipulez la pile.

**AAVERTISSEMENT** Un clapet doit être utilisé sur le décharge de la pompe de puisard principale (voir Figure 1).

**AAVERTISSEMENT** Un interrupteur pour protéger contre un défaut de mise à la terre (DDFT) est exigé.

**AVIS** Cette pompe est conçue pour le pompage de l'eau claire seulement. Cette pompe n'est pas conçue pour les substances qui contiennent les produits chimiques caustiques et/ou les matières étrangères tels que l'eau salée, la saumure, le décharge de buanderie. L'utilisation de ces produits pourra endommager la pompe et niera la garantie.

## Besoins De La Pile

1. Utiliser seulement des nouvelles piles de 12 V complètement chargées à fonctions décharge profonde. Le niveau d'électrolyte doit être vérifié et entretenu selon les directives du fabricant.
2. La boîte de batterie accomode les batteries de tailles 24C, 24VCM, 27C, 27CM et 27F.
3. Le temps pour recharger les batteries varie avec chaque installation. Dans des conditions normales, la recharge

complète des batteries de décharge profonde nécessitera entre deux et quatre jours après qu'elle soit déchargée. S'il y a manque d'électricité à la maison plus d'une fois par semaine, considérer garder une batterie complètement chargée pour remplacer une batterie épuisée dans la pompe de réserve.

## Montage

**AVIS** L'installation de ce modèle pourrait durer plusieurs heures. Vous devez d'avoir une méthode alternative fiable disponible pour vider le puisard après le démontage de la pompe principale.

1. Couper la puissance à la pompe principale.
2. Installer la pompe en utilisant de la tuyauterie rigide CPV 1½ po ou 1½ po. Un clapet (pas compris) doit être installé entre le T du modèle ESP et la pompe principale (voir Figure 1).
3. Mesurer et couper le tuyau de décharge afin que la pompe de sauvegarde soit un minimum de 1 pouce au dessus de la pompe principale. Ceci permettra la pompe principale de fonctionner normalement (voir Figure 1).

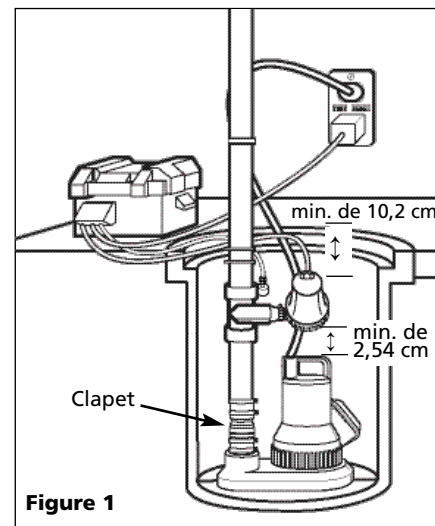


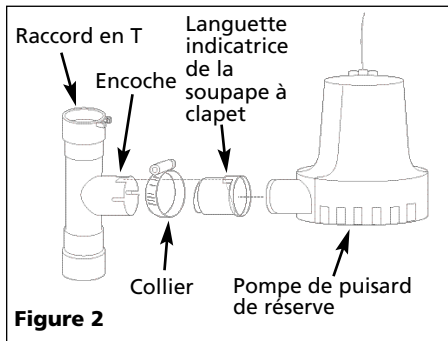
Figure 1

4. Vérifier l'ajustage des pièces avant de les fixer en permanence. Coller le T en place avec du ciment CPV. L'encoche doit être vers le haut, sinon la soupape à clapet ne fonctionnera pas.

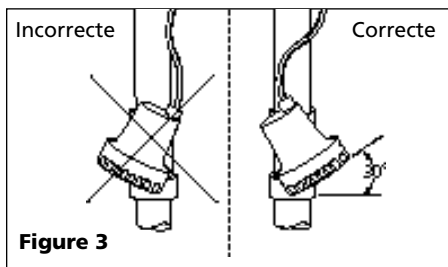
**MÉMENTO:** Gardez votre preuve datée d'achat à fin de la garantie!  
Joignez-la à ce manuel ou classez-la dans un dossier pour plus de sécurité.

## Montage (Suite)

5. Introduire la soupape à clapet dans le T. S'assurer que la languette indicatrice soit dans l'encoche du T (voir Figure 2).

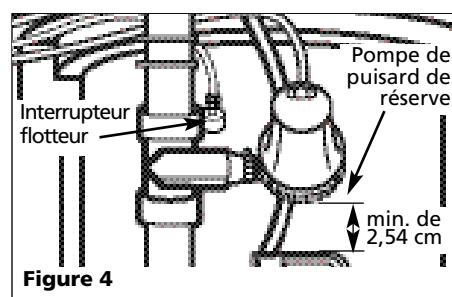


6. Glisser le collier sur le T.  
7. Introduire la pompe dans la soupape à clapet, incliner la pompe 30°, le cordon d'alimentation devrait être face en haut (voir Figure 3). Serrer le collier autour de la pompe et la soupape à clapet (voir Figure 2).

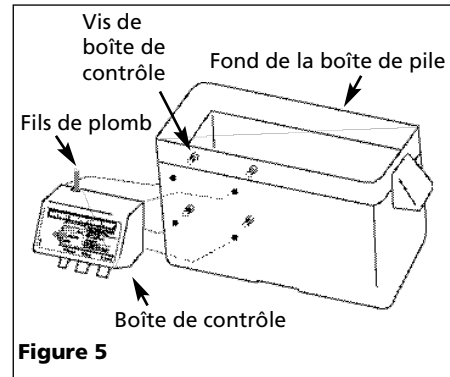


**AVERTISSEMENT** Incliner la pompe tel qu'indiqué sur la Figure 3 pour éviter le blocage.

8. Pour installer l'interrupteur à flotteur d'une pompe de secours, glisser d'abord la sangle latérale dans la fente sur le dessus du T. Fixer avec la vis fournie. Retirer l'écrou hexagonal supérieur de l'interrupteur et glisser vers le haut le long du cordon et de côté. Glissez le cordon par la fente de la sangle, tirer le goujon fileté par le trou et fixer avec l'écrou. S'assurer que l'interrupteur à flotteur est au-dessus de la base de la pompe et que les fils de courant n'entrave pas le fonctionnement de l'interrupteur à flotter ou l'entrée de la pompe.



9. Fixer la boîte de contrôle au côté de la boîte de batterie tel qu'indiqué dans la Figure 5. Placer la batterie dans la boîte, brancher le câble rouge à la borne positive de la pile et le câble noir à la borne négative. Mettre le couvercle sur la boîte et la fermer avec la sangle.



**ATTENTION** Si les câbles sont renversés, le dommage à la boîte de contrôle ou à la pile peut résulter et niera la garantie.

10. Placer la boîte de pile à moins de 1,83 m du puisard et d'une prise de courant de 115 Vc.a. (fusible séparé). La prise de courant doit être protégée d'un interrupteur qui protège contre un dérangement dû à une mise accidentelle à la terre (DDFT). L'endroit doit être propre, sec et bien aéré.  
11. Brancher l'interrupteur flotteur, la pompe, et le chargeur dans la boîte de contrôle. (Connexions indiquées sur la boîte).  
12. Faire l'essai de la pompe en remplissant le puisard d'eau pendant que la pompe principale est débranchée. Si la pompe fonctionne correctement, brancher le chargeur dans la prise de courant DDFT pour charger la batterie.  
13. Protéger le cordon d'alimentation contre les objets pointus, les surfaces chaudes, l'huile, et les produits chimiques. Éviter de tortiller le cordon et remplacer toutes les pièces endommagées immédiatement.

## Fonctionnement

**ADANGER**  
Toujours débrancher la source de puissance avant d'essayer d'installer, de réparer, de déplacer ou de procéder à l'entretien de la pompe. Ne jamais toucher le pompe de puisard, le moteur de la pompe, l'eau ni le tuyauterie de décharge lorsque la pompe est branchée à une source d'alimentation. Ne jamais manipuler une pompe ni un moteur de

*pompe avec les mains trempées, ni lorsque vous êtes debouts sur une surface humide ou trempé ni dans l'eau, sinon, vous risquez une secousse électrique mortelle.*

**ADANGER**



Risque de secousse électrique! Utiliser une prise DDFT afin de réduire le risque de secousse électrique mortelle.

**Couper le cordon niera la garantie et rendra la pompe inutile.**

- Suite à l'installation, la pompe de réserve se démarrera lorsque le niveau d'eau dépasse la profondeur de démarrage de la pompe principale.
- La boîte de contrôle a un chargeur à impulsions conçu pour raccourcir le temps nécessaire pour charger la batterie, et pour éviter de la surcharger. Aussi, la boîte de contrôle a un retardateur qui empêche les cycles courts répétés lorsqu'il s'arrête. Cette fonction de surcharge permet à la pompe de fonctionner 20 à 25 secondes après que l'interrupteur atteint la position d'arrêt.

- La boîte de contrôle a une lampe indicatrice multicolore. Quand le courant c.a. est présent, la lampe indique l'état de charge, mais pas la tension de batterie actuelle, particulièrement avec une batterie défectueuse. Suivre les étapes "a" à "d" pour une indication précise.
  - Débrancher la pompe principale c.a. et le chargeur - une tonalité d'avertissement sonnera pendant 30 secondes.
  - Soulever et lâcher l'interrupteur flotteur pour actionner la pompe de réserve.
  - Quand la pompe s'arrête, vérifier la lampe d'essai:

**Vert:** Batterie chargée.

**Jaune:** Tension est basse, batterie partiellement chargée.

**Rouge:** Batterie complètement déchargée ou défectueuse.

- Brancher le chargeur et la pompe principale c.a.

Si l'alimentation c.a. est coupée et la pompe fonctionne, la lampe indicatrice indiquera l'état de la batterie.

- Un son de pépiement de la boîte de contrôle accompagnera la lampe rouge ce qui indique une batterie qui requiert l'attention ou le remplacement. La tension est le seul indicateur de la condition de la

## Fonctionnement (Suite)

batterie pourrait indiquer une condition fautive. Se référer à la section Entretien pour les instructions pour évaluer la condition de la batterie.

5. Une tonalité de trente secondes sonnera lorsque l'alimentation au système soit interrompue. Le modèle se rajustera automatiquement quand l'alimentation soit rétablie. Une tonalité de trois secondes sonnera chaque fois que la pompe se démarre.

## Entretien

**DANGER**

Toujours débrancher la source d'électricité avant



**d'essayer d'installer, de déplacer ou de procéder à l'entretien. Si la source de puissance est hors vue, verrouiller et étiqueter dans la position ouverte (off) pour éviter l'alimentation inattendu. Manque de suivre ces directives peut résulter en secousse électrique mortelle. Seul un électricien qualifié devrait réparer ce modèle. La réparation incorrecte peut résulter en secousse électrique mortelle.**

1. Vérifier la condition de la batterie chaque mois.
2. Débrancher le chargeur du mur.
3. Vérifier le niveau d'électrolyte et remplir d'après les recommandations du fabricant des batteries dont le bouchon supérieur s'enlève. Vérifier la charge de chaque cellule avec un hydromètre. Une densité spécifique de 1.265 indiquerait que la batterie est complètement chargée. Si la densité spécifique de n'importe quelle cellule varie de plus de .050, remplacer la batterie.

**REMARQUE:** Un hydromètre peu coûteux est disponible chez votre marchand de pièces d'automobile.

4. Inspecter les bornes et les colliers pour la corrosion et le serrage. Nettoyer et serrer au besoin.
5. Débrancher la pompe principale et remplir le puisard d'eau jusqu'à ce que la pompe de sauvegarde se met en marche. Répéter le procédé deux fois pour s'assurer que la pompe fonctionne normalement.
6. Si la pompe fonctionne normalement, brancher le chargeur dans la prise du mur, mettre la pompe principale en marche. Si la pompe ne fonctionne pas normalement, voir le guide de dépannage et corriger le problème. Répéter l'étape 5.

## Guide De Dépannage

Symptôme	Cause(s) Possible(s)	Mesures Correctives
Pompe ne fonctionne pas	<ol style="list-style-type: none"> <li>1. Raccords ne sont pas sûrs</li> <li>2. Batterie faible ou défectueuse</li> <li>3. Interrupteur à flotteur coincé</li> <li>4. Fusible défectueux ou sauté</li> </ol>	<ol style="list-style-type: none"> <li>1. Vérifier tous les raccords</li> <li>2. Vérifier la batterie et la remplacer si faible ou défectueuse</li> <li>3. S'assurer que rien n'entrave le fonctionnement de l'interrupteur</li> <li>4. Vérifier le fusible interne dans la boîte de contrôle. Débrancher le chargeur de la prise du mur et l'enlever. Si le fusible est sauté, le remplacer avec un fusible d'automobile de 15 A</li> </ol>
Moteur ronron mais la pompe ne fonctionne pas	<ol style="list-style-type: none"> <li>1. Batterie défectueuse</li> <li>2. Turbine coincée</li> </ol>	<ol style="list-style-type: none"> <li>1. Vérifier la batterie et la remplacer si faible ou défectueuse</li> <li>2. Débrancher la pompe et vérifier si la turbine tourne librement. Si la turbine est bloquée, enlever les 4 vis sur le fond de la pompe pour lâcher le carter autour de la turbine. Enlever l'obstruction. Remonter la pompe et brancher à nouveau</li> </ol>
La pompe fonctionne mais refoule peu ou pas d'eau	<ol style="list-style-type: none"> <li>1. Clapet manquant ou mal-installé</li> <li>2. Engorgement dans le tuyau de décharge</li> <li>3. Pompe pas tournée à 30°</li> <li>4. Pompe bloquée à l'air</li> <li>5. Longueur et/ou hauteur du tuyau de décharge dépasse la capacité de la pompe</li> <li>6. Batterie faible ou défectueuse</li> </ol>	<ol style="list-style-type: none"> <li>1. S'assurer que le clapet soit installé et fonctionne entre le décharge de la pompe principale et le raccord en T de la Pompe De Puisard De Réserve.</li> <li>2. Vérifier pour un engorgement et l'enlever si nécessaire</li> <li>3. Vérifier que la pompe soit tournée 30° dans le raccord en T tel qu'indiquée sur la Figure 3</li> <li>4. Le carter de turbine a un petit trou sur le côté. Le trou doit être ouvert pour amorcer la pompe. Avec la pompe débranchée, enlever les 4 vis sur le fond de la pompe afin de lâcher le carter autour de la turbine. Nettoyer le trou et remplacer le couvercle</li> <li>5. Si le décharge est trop haut, une ligne séparée avec une hauteur de décharge plus basse peut être nécessaire</li> <li>6. Vérifier la batterie et la remplacer si faible ou défectueuse</li> </ol>
Pompe cycle à maintes reprises	<ol style="list-style-type: none"> <li>1. Clapet principal entre le décharge de la pompe principale et le raccord en T de la Pompe De Puisard De Réserve ou la soupape à clapet de la Pompe De Puisard De Réserve mal-installé ou en panne</li> </ol>	<ol style="list-style-type: none"> <li>1. Installer un clapet ou réparer au besoin</li> </ol>

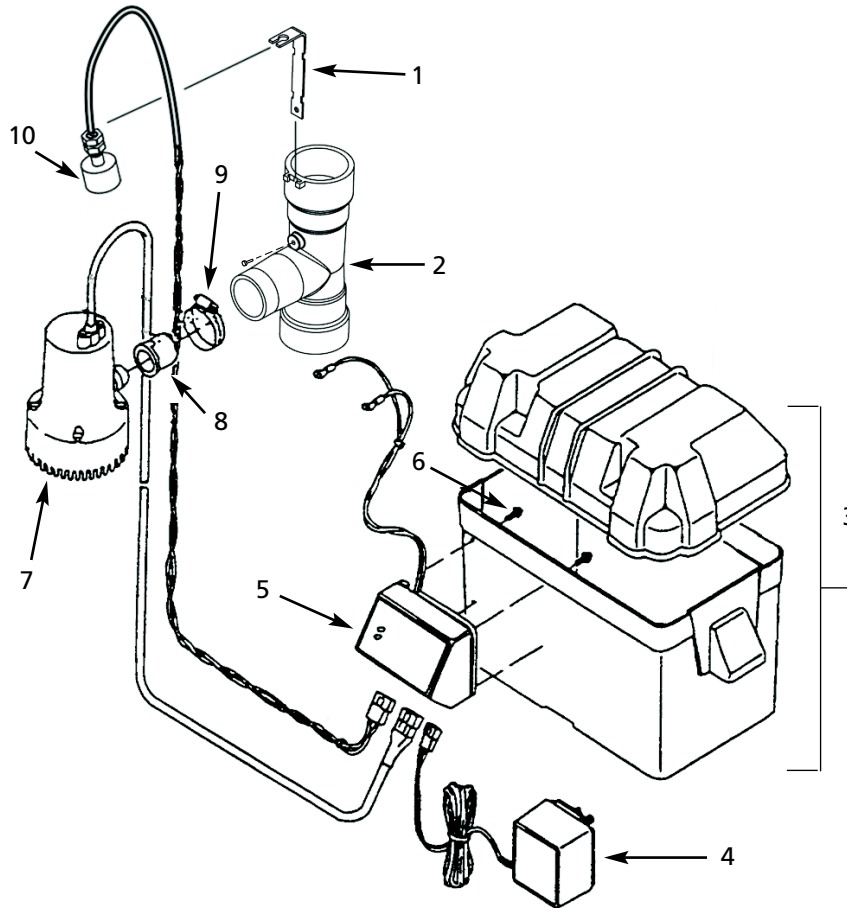
# Pour pièces de rechange, composer 1-800-237-0987

S'il vous plaît fournir l'information suivante:

- Numéro du Modèle
- Numéro de Série (si présent)
- Description et numéro de la pièce

Correspondance:

Wayne Water Systems  
101 Production Drive  
Harrison, OH 45030 U.S.A.



No. de. Réf.	Description	Numéro de pièce	Qté
1	Sangle	46049-001	1
2	Raccord en T	17233-002	1
3	Sangle pour batterie	23217-001	1
4	Chargeur	17220-004	1
5	Boîte de contrôle	30209-002	1
6	Vis - boîte de contrôle	16119-002	4
7	Pompe	17218-003	1
8	Soupape à clapet	17216-001	1
9	Collier - tuyau	16044-001	1
10	Interrupteur flotteur	30033-001	1

## Garantie Limitée

Pour un an à compter de la date d'achat, Wayne Water Systems ("Wayne") va réparer ou remplacer, à son option, pour l'acheteur original n'importe quelle pièce ou pièces de ces Pompes De Puisard ou Pompes À Eau ("Produit") déterminées défectueuses, par Wayne, en matière ou en fabrication. S'il vous plaît appeler Wayne (800-237-0987) pour des instructions ou contacter votre marchand. S'assurer d'avoir, à votre disposition, le numéro du modèle afin d'effectuer cette garantie. Les frais de transportation des Produits ou pièces soumis pour la réparation ou le remplacement sont la responsabilité de l'acheteur.

Cette Garantie Limitée ne couvre pas les Produits qui se sont fait endommagés en résultat d'un accident, utilisation abusive, mauvais usage, négligence, l'installation incorrecte, entretien incorrect, ou manque d'utilisation conformément aux instructions écrit de Wayne.

**IL N'EXISTE AUCUNE AUTRE GARANTIE OU AFFIRMATION. LES GARANTIES EXPRIMÉES, Y COMPRIS CELLES DE COMMERCIALISABILITÉ ET D'ADAPTION À UNE FONCTION PARTICULIÈRE, SONT LIMITÉES À UN AN À COMPTER DE LA DATE D'ACHAT. CECI EST LA REMÈDE EXCLUSIVE ET N'IMPORTE QUELLE RESPONSABILITÉ POUR N'IMPORTE QUEL ET TOUT DOMMAGES INDIRECTS OU DÉPENSES QUOI QUE SE SOIT EST EXCLUS.**

Certaines Provinces n'autorisent pas de limitations de durée pour les garanties implicites, ni l'exclusion ni la limitation des dommages fortuits ou indirects. Les limitations précédentes peuvent donc ne pas s'appliquer. Cette garantie limitée donne, à l'acheteur, des droits légaux précis, et vous pouvez avoir autres droits légaux qui sont variable d'une Province ou d'un État à l'autre.

En aucun cas, soit par suite d'un rupture de contrat de garantie, acte dommageable (y compris la négligence) ou autrement, ni Wayne ou ses fournisseurs seront responsables pour aucune dommage spéciale, incidentel ou pénal, y compris, mais pas limité à la perte de profits ou recettes, la perte d'usage des produits ou n'importe quel équipement associé, dommage à l'équipement associé, coût de capital, coût de produits remplaçants, aménagements, services ou abilité de remplacement, coût de temps que le produit n'est pas en service, ou la réclamation des clients de l'acheteur pour ces dommages.

Vous **DEVEZ** garder votre recette d'achat avec ce bulletin. Il est **NÉCESSAIRE** d'envoyer une **COPIE** de la recette d'achat avec le matériel ou correspondance afin d'effectuer une réclamation de la garantie. S'il vous plaît appeler Wayne (800-237-0987) pour l'autorisation et instructions concernant le renvoi.

**NE PAS ENVOYER, PAR LA POSTE, CE BULLETIN À WAYNE.** Utiliser ce bulletin seulement pour vos archives.

N° DU MODÈLE \_\_\_\_\_ N° DE SÉRIE \_\_\_\_\_

DATE D'INSTALLATION \_\_\_\_\_

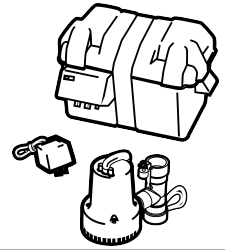
FIXER VOTRE FACTURE ICI



Sírvase leer y conservar estas instrucciones. Léalas con cuidado antes de intentar armar, instalar, operar o efectuar mantenimiento al producto descrito. Protéjase a sí mismo y a los demás observando la información de seguridad. El no cumplir con estas instrucciones podría provocar lesiones personales y/o daños materiales. Conserve estas instrucciones para futura referencia.



# Bomba Auxiliar de 12V para Sumideros



## Descripción

La ESP15 es una bomba auxiliar para sumideros que funciona con batería. No reemplaza a una bomba regular. Está diseñada para proporcionar protección en el caso de falla de energía eléctrica doméstica.

Este manual contiene información que es muy importante conocer y comprender. Esta información se proporciona con fines de SEGURIDAD y para EVITAR PROBLEMAS CON EL EQUIPO. Para ayudarlo a reconocer esta información, observe los siguientes símbolos:

## Lineamientos de seguridad

### PELIGRO

Ésto le indica

una situación de riesgo inminente la cual, si no se evita, puede ocasionar la muerte o graves lesiones.

### ADVERTENCIA

Ésto le indica

una situación potencialmente peligrosa, la cual, si no se evita, podría ocasionarle la muerte o lesiones graves.

### PRECAUCION

Ésto le indica

una situación potencialmente peligrosas, la cual, si no se evita, podría provocar lesiones menores o moderadas.

### AVISO

Ésto le indica

información importante la cual, si no se cumple, puede ocasionar daño al equipo.

## Información general de seguridad

### PELIGRO

No use la bomba para bombear fluidos inflamables o explosivos tales como gasolina, combustibles, keroseno, etc. No use el equipo en un ambiente inflamable y/o explosivo. La bomba debe usarse sólo para bombear agua limpia, de lo contrario, podría provocar lesiones fatales y/o daños materiales.



### PELIGRO

Si hay presencia de agua o humedad en el

sótano, no camine sobre la superficie mojada hasta que haya desconectado toda la energía eléctrica. Si la caja de interruptores está situada en el sótano, llame a un electricista. Retire la bomba y repárela o reemplácela. Si no cumple con esta advertencia, podría provocar un choque eléctrico de consecuencias fatales.



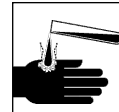
**ADVERTENCIA** Todas las conexiones de cables deben ser realizadas por un electricista calificado.

### ADVERTENCIA



No exponga la batería al contacto de chispas o llamas ya que podría provocar una explosión o un incendio.

### ADVERTENCIA



El ácido de la batería es corrosivo. Evite derramarlo sobre la piel o ropa. Al manipular la batería, debe protegerse los ojos.

### ADVERTENCIA

Debe utilizar una válvula de chequeo en el orificio de descarga de la bomba principal para sumideros (vea la Figura 1).

### ADVERTENCIA

Se requiere

un interruptor con dispositivo para desconexión automática en caso de fallas.

### AVISO

Esta bomba

sólo debe usarse para bombear aguas limpias. Esta bomba no está diseñada para bombear efluentes, agua salada, salmuera, agua con detergentes o en ningún otro líquido que contenga químicos causticos y/o residuos y partículas. Ésto le ocasionaría daños a la bomba y cancelaría la garantía.

## Requisitos de la batería

- Use sólo baterías nuevas totalmente cargadas de 12 voltios y ciclo intenso. Se debe comprobar el nivel electrolítico y mantenerlo de conformidad con las estipulaciones impartidas por el fabricante.
- Las baterías que caben en el compartimiento de batería son las

siguientes: 24C, 24VCM, 27C, 27CM y 27F.

- El tiempo de recarga de la batería será diferente en cada instalación. Bajo condiciones normales, demorará de dos a cuatro días recargar totalmente una batería de ciclo intenso después de haber sido descargada. Si se producen cortes de la energía eléctrica en la casa con una frecuencia mayor de una vez por semana, considere la posibilidad de contar con una batería de repuesto totalmente cargada para reemplazar la batería de su bomba auxiliar.

## AVISO

La instalación de esta bomba podría tomarle varias horas. Antes de desconectar temporalmente la bomba principal, cerciórese de tener un plan para drenar el sumidero en caso de emergencia.

## Instalación

- Desconecte la corriente que va a la bomba principal.
- La bomba debe instalarse utilizando una tubería rígida de PVC de 3,2 cm (1¼") ó 3,8 cm (1½"). Entre la conexión en T de la ESP y la bomba principal, se debe instalar una válvula de chequeo (no incluida) (véase la Figura 1).

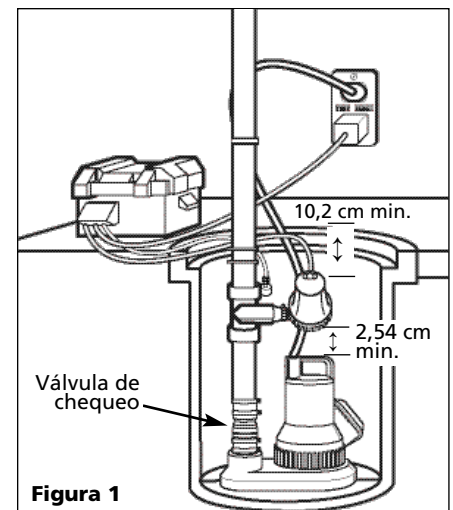
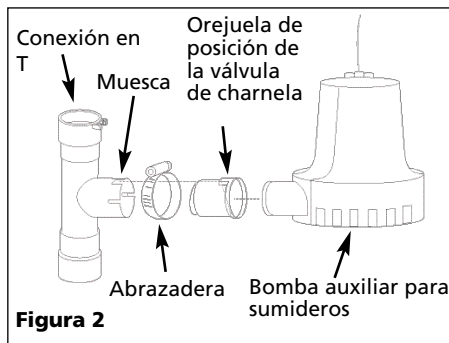


Figura 1

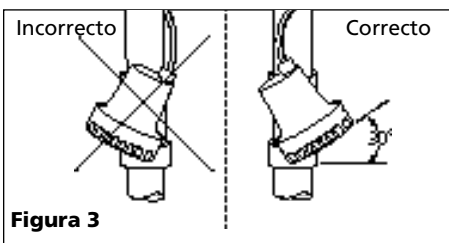
RECORDATORIO: ¡Guarde su comprobante de compra con fecha para fines de la garantía! Adjúntela a este manual o archívela en lugar seguro.

## Instalación (Continuación)

- Mida y corte el tubo de descarga de modo que la bomba auxiliar esté como mínimo a 2,54cm más arriba que la bomba principal. Esto permitirá que la bomba principal opere normalmente (vea la Figura 1).
- Usando pegamento para PVC, pegue la conexión en T en su lugar. La muesca debe estar hacia arriba, de lo contrario, la válvula de charnela no funcionará.
- Inserte la válvula de charnela en la conexión en T. Asegúrese de que la orejuela esté en la muesca en la conexión en T (véase la Figura 2).

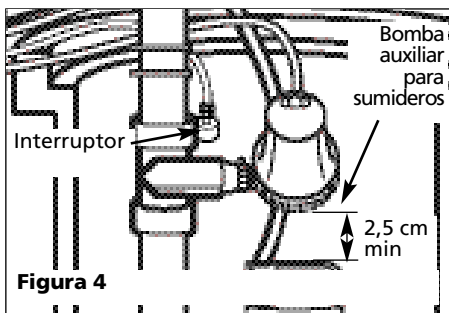


- Deslice la abrazadera sobre la conexión en T.
- Inserte la bomba en la válvula de charnela, viere la bomba 30°. Una vez que la haya virado, el cordón eléctrico debe estar hacia arriba (vea la Figura 3). Apriete la abrazadera para asegurar la bomba y la válvula de charnela (vea la Figura 2).

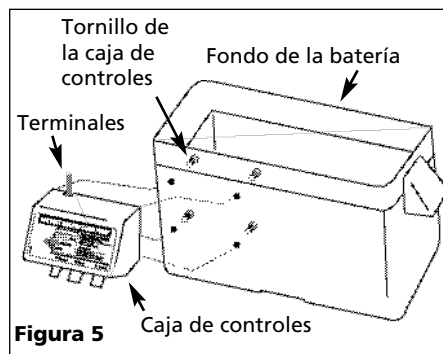


### ADVERTENCIA

La bomba debe colocarse tal como se muestra en la Figura 3 para evitar que el aire permanezca.



- Para instalar el interruptor de flotador para la bomba de reserva, primero deslice la ménsula por la ranura en la parte superior de la T. Asegure la ménsula con el tornillo que se proporciona. Retire la tuerca hexagonal superior del interruptor y deslice el cable fuera. Deslice el cable a través de la ranura en la ménsula, introduzca el pasador roscado en el orificio y asegúrelo con la tuerca. Asegúrese de que el interruptor de flotador se encuentre por encima de la base de la bomba y de que los cables de corriente no interfieran con el interruptor de flotador ni la entrada de la bomba.
- Conecte la caja de control a uno de los lados del compartimiento de la batería tal como se muestra en la Figura 5.



Coloque la batería en el compartimiento, conecte el cable rojo al borne positivo de la batería y el cable negro al borne negativo. Colóquela la tapa al compartimiento y asegúrelo con la correa.

### PRECAUCIÓN Si los

cables se conectan al revés, puede dañarse la caja de control o la batería, y la garantía será invalidada.

- Coloque la caja de la batería a unos 1,83 m del sumidero y de un tomacorrientes de 115 VCA. El tomacorrientes debe tener un dispositivo automático contra cortocircuitos. El área debe estar limpia, seca y bien ventilada.
- Conecte el interruptor/ flotante, la bomba y el cargador a la caja de controles. Las conexiones están indicadas en la caja de controles.
- Cerciérese de que la bomba funcione adecuadamente. Para hacerlo, desconecte la bomba principal y llene el sumidero de agua. Si la bomba funciona adecuadamente, conecte el cargador al tomacorrientes con el dispositivo automático contra cortocircuitos, para comenzar a cargar la batería.
- Proteja el cordón eléctrico contra objetos afilados, superficies calientes, aceite y químicos. Evite que el cordón se enrolle y reemplace las piezas dañadas inmediatamente.

## Operación

### PELIGRO

Siempre desconecte la unidad de la fuente de energía antes de intentar instalar, dar servicio,



reubicar o darle mantenimiento a la bomba. Nunca toque la bomba para sumideros, el motor de la bomba, el agua o la tubería de descarga cuando la bomba esté conectada al tomacorrientes. Nunca manipule una bomba o motor de bomba con las manos mojadas, o estando parado sobre una superficie mojada o húmeda o sobre el agua. Puede ocurrir un choque eléctrico de consecuencias fatales.

### PELIGRO

Hay riesgo de descarga eléctrica! Use un tomacorriente con interruptor de circuito de pérdida a tierra para reducir el riesgo de un choque eléctrico de consecuencias fatales.



El cortar el cordón o el enchufe invalidará la garantía y no permitirá que la bomba funcione.

- Después de instalada, la bomba auxiliar comenzará a funcionar cuando el nivel de agua suba sobre el nivel en el que la bomba principal debe comenzar a funcionar.
- La caja de control tiene un cargador de pulsos diseñado para acortar el tiempo de recarga de su batería y para impedir la sobrecarga. Además, la caja de control tiene un retardo de tiempo que, cuando se desconecta, evita los ciclos cortos y repetidos de la bomba. Este dispositivo de retardo de tiempo permitirá que la bomba funcione por 20 ó 25 segundos después de que el interruptor/ flotante llegue a la posición de apagado.
- La caja de controles contiene una luz multicolor indicadora. Si se utiliza corriente alterna, la luz le indicará que se está cargando la unidad, pero no le indicará el voltaje de la batería, especialmente si la batería está dañada. Para que la luz le indique información correcta debe seguir los pasos de "a" a "d".
  - Desconecte la bomba principal y el cargador- sonará una alarma por 30 segundos para indicarle que están desconectados.
  - Alice y suelte el interruptor/flotante para activar la bomba auxiliar.
  - Cuando la bomba deje de operar vea las luces multicolores:
    - Verde:** Le indica que la batería está cargada.
    - Amarilla:** Voltaje es bajo, la batería sólo está parcialmente cargada.
    - Rojo:** La batería está totalmente descargada o dañada.
- Conecte la bomba principal y el cargador al tomacorrientes.

## Operación (Continuación)

Si la corriente alterna está apagada, mientras la bomba está funcionando, la luz le indicará la carga de la batería.

4. Al escuchar un sonido cuando la luz roja se enciende le indica que necesita revisar o reemplazar la batería. El voltaje sólo le indica la condición de la batería pero no le indica el estado en que se encuentra. Vea la sección de Mantenimiento donde se le indica como evaluar el estado de la batería.
5. Un silbido de 30 segundos le indicará cuando se interrumpa el suministro de energía. La unidad comenzará a funcionar automáticamente al comenzar el suministro de energía. Cada vez que la unidad comience a funcionar escuchará un silbido de 30 segundos.

## PELIGRO

**Siempre desconecte el suministro eléctrico antes de intentar instalar, dar servicio, reubicar o ejecutar cualquier mantenimiento. Si la fuente de poder no está a la vista, bloquéela y márkela en posición abierta (apagada) para impedir la aplicación inesperada de energía eléctrica. Si no se cumple con esta advertencia, podría provocarse un choque eléctrico de consecuencias fatales. Sólo electricistas calificados deben reparar esta unidad. Una reparación inadecuada podría ocasionar un choque eléctrico fatal.**



1. Revise la condición de la batería una vez al mes.
2. Desconecte el cargador de pared.
3. En las baterías con tapones superiores removibles, se debe comprobar el nivel electrolítico y mantenerlo de conformidad con los lineamientos impartidos por el fabricante. La carga para cada pila se debe verificar

con un hidrómetro. Una gravedad específica de 1,265 indica que la batería está con carga completa. Si la gravedad específica de cualquiera de las pilas varía en más de 0,050, la batería debe ser reemplazada.

4. Inspeccione los bornes y abrazaderas para determinar si hay corrosión y si están ajustados. Límpielos y ajústelos según sea necesario.
5. Desconecte la bomba principal y llene el sumidero con agua hasta que se prenda la bomba auxiliar. Repita el procedimiento dos veces para asegurarse de que la bomba opera normalmente.
6. Si la bomba opera normalmente, enchufe el cargador en el tomacorriente de pared y encienda la bomba principal. Si la bomba deja de operar normalmente, vea la guía de Detección de fallas y corrija el problema. Repita el paso No. 5.

## Mantenimiento

### Guía de diagnóstico de averías

Problema	Posible(s) Causa(s)	Acción Correctiva
La bomba no funciona	<ol style="list-style-type: none"> <li>1. Conexiones flojas</li> <li>2. Batería baja o defectuosa</li> <li>3. Interruptor de flotador atascado</li> <li>4. Fusible defectuoso o quemado</li> </ol>	<ol style="list-style-type: none"> <li>1. Revise todas las conexiones</li> <li>2. Revise la batería y reemplácela si está baja o defectuosa</li> <li>3. Asegúrese de que nada interfiera con el funcionamiento del interruptor</li> <li>4. Revise el fusible interno ubicado dentro de la caja de control. Desconecte el cargador del tomacorrientes de la pared y retire el fusible. Si está quemado, cámbielo por un fusible tipo auto-motor de 15 amperios</li> </ol>
El motor zumba, pero la bomba no funciona	<ol style="list-style-type: none"> <li>1. Batería defectuosa</li> <li>2. El impulsor está bloqueado</li> </ol>	<ol style="list-style-type: none"> <li>1. Revise la batería y reemplácela si está baja o defectuosa</li> <li>2. Desconecte la bomba y cerciórese de que la propela puede funcionar sin problemas. Si la propela está atascada y no puede girar, quítele los 4 tornillos en la parte inferior de la bomba para desconectar la cubierta. Limpie las piezas internas para eliminar la causa del problema. Ensamble la bomba y reconéctela</li> </ol>
La bomba funciona pero bombea poca o nada de agua	<ol style="list-style-type: none"> <li>1. Revise la válvula que falta o que está mal instalada</li> <li>2. Obstrucción en el tubo de descarga</li> <li>3. La bomba no ha sido inclinada 30 grados</li> <li>4. Bomba bloqueada por aire</li> <li>5. La longitud y/o altura del tubo de descarga excede la capacidad de la bomba</li> <li>6. Batería baja o defectuosa</li> </ol>	<ol style="list-style-type: none"> <li>1. Asegúrese de que hay una válvula de retención instalada y funcionando entre la descarga de la bomba primaria y la conexión en T de la bomba de sumidero de reserva</li> <li>2. Revise si hay obstrucción y remuévala si es necesario</li> <li>3. Cerciórese de que la bomba esté a 30° de la conexión en T tal como se indica en la Figura 3</li> <li>4. La cubierta de la propela tiene un orificio en uno de los lados. Este orificio debe estar abierto para cebar la bomba. Deconecte la bomba, quítele los 4 tornillos en la parte inferior para desconectar la cubierta de la propela. Limpie el orificio y coloque la cubierta</li> <li>5. Si la línea de descarga está muy alta, tal vez necesitará instalar una línea de descarga adicional a una altura inferiro</li> <li>6. Revise la batería y cámbiela si está baja o defectuosa</li> </ol>
Los ciclos de la bomba son muy frecuentes	<ol style="list-style-type: none"> <li>1. La válvula de chequeo principal, ubicada entre la descarga de la bomba principal y la conexión en T o válvula de charnela de la bomba de auxiliar, no ha sido instalada o está funcionando mal</li> </ol>	<ol style="list-style-type: none"> <li>1. Instale una válvula de retención o repare, según sea necesario</li> </ol>

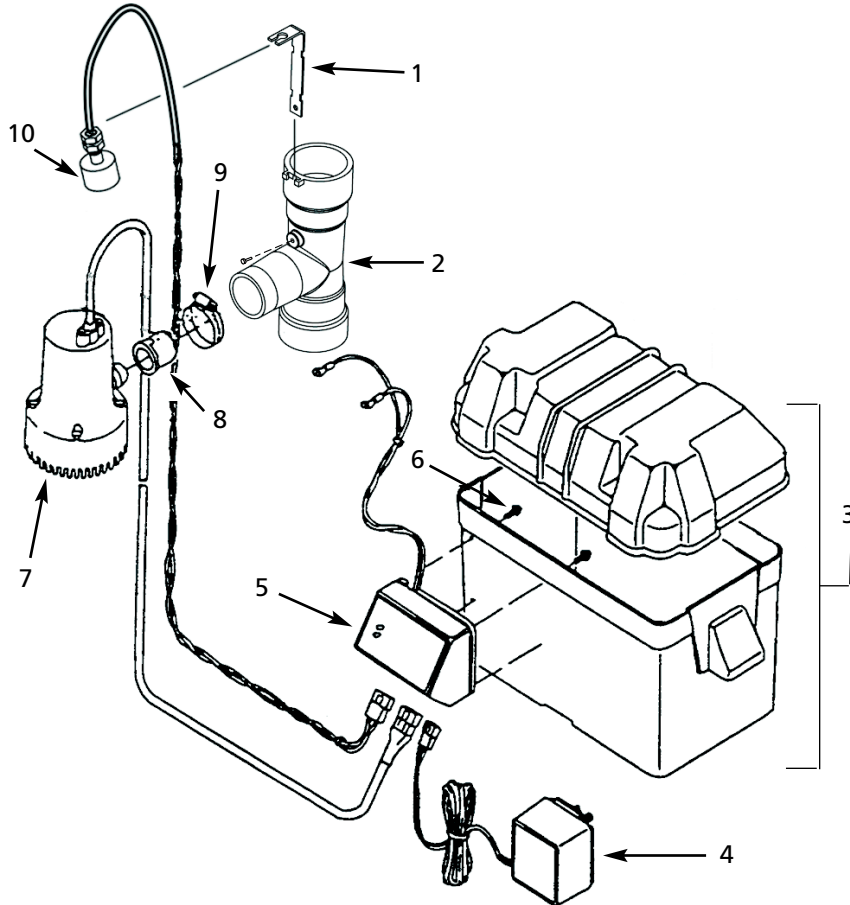
## Para Ordenar Repuestos, Sírvase llamer al Concesionario más Cercano a su Domicilio

Sírvase proporcionar la siguiente información:

- Número del modelo
- Número de serie (de haberlo)
- Descripciones y número de piezas, tal como aparecen en la lista de piezas.

Dirección para correspondencia sobre repuestos:

Wayne Water Systems  
101 Production Drive  
Harrison, OH 45030 U.S.A.



Nº. de Ref.	Descripción	Número de pieza	Ctd.
1	Ménsula	46049-001	1
2	Conexión en T	17233-002	1
3	Compartimento de batería	23217-001	1
4	Cargador	17220-004	1
5	Caja de control	30209-002	1
6	Tornillo - caja de control	16119-002	4
7	Bomba	17218-003	1
8	Válvula de charnela	17216-001	1
9	Abrazadera de manguera	16044-001	1
10	Interruptor/ flotante	30033-001	1

### Garantía Limitada

Durante un año a partir de la fecha de compra, Wayne Water Systems ("Wayne") reparará o reemplazará, según lo consideren adecuado, cualquier pieza de esta bomba para sumideros ("Producto") que el comprador original envíe a reparación y los empleados o representantes autorizados de Wayne determinen que están defectuosos debido a problemas de materiales o manufactura. Para recibir información sobre los pasos a seguir, comuníquese directamente con la compañía Wayne (800-237-0987, sólo desde EUA), o con el distribuidor autorizado más cercano a su domicilio. En el momento de reclamar sus derechos bajo esta garantía deberá suministrar el número del modelo. Todos los gastos de flete serán la responsabilidad del comprador.

Esta garantía limitada no cubre los daños debido a accidentes, abusos, uso inadecuado, negligencia, instalación inadecuada, mantenimiento inadecuado, o funcionamiento sin seguir las instrucciones suministradas por escrito por la compañía Wayne.

**NO HAY NINGUNA OTRA GARANTÍA EXPRESA O IMPLÍCITA. INCLUYENDO AQUELLAS SOBRE VENTA O USOS ESPECÍFICOS, Y LAS GARANTÍAS ESTAN LIMITADAS A UN AÑO A PARTIR DE LA FECHA DE COMPRA. ESTA ES LA ÚNICA GARANTÍA Y CUALQUIER PERDIDA O RESPONSABILIDAD CIVIL, SEA DIRECTA O INDIRECTA COMO CONSECUENCIA DE DAÑOS SON EXCLUIDAS.**

Algunos estados no permiten límites en la duración de las garantías, o no permiten que se limiten o excluyan casos por daños por accidentes o consecuentes, en dichos casos los límites arriba enumerados tal vez no apliquen para Ud. Esta garantía limitada le otorga a Ud. ciertos derechos que pueden variar de un estado a otro.

Bajo ninguna circunstancia, aunque sea debido al incumplimiento del contrato de garantía, culpabilidad (incluyendo negligencia) u otras causas, la compañía Wayne o ninguno de sus surtidores serán responsables legalmente por ningún fallo legal en su contra, incluyendo, pero no limitado a pérdida de ganancias, pérdidas del uso del producto o piezas asociadas con el equipo, pérdidas de capital, gastos para reemplazar los productos dañados, pérdidas por cierre de fábrica, servicios o pérdida de electricidad, o demandas presentadas por los clientes del comprador por dichos daños.

Ud. **DEBE** conservar el recibo como prueba de compra junto con esta garantía. En caso de que necesite presentar un reclamo de sus derechos bajo esta garantía, Ud. **DEBERA** enviar una **copia** del recibo de la tienda junto con el producto o correspondencia.

Comuníquese con la compañía Wayne (800-237-0987, sólo desde EUA) para recibir autorización e instrucciones de como enviar la mercancía.

**NO ENVIE ESTOS DATOS A WAYNE.** Conserve esto sólo como datos.

MODEL NO. \_\_\_\_\_ NO. DE SERIE \_\_\_\_\_ FECHA DE INSTALACION \_\_\_\_\_

**GRAPE SU RECIBO DE COMPRA AQUI**